

Engineering built smarter. Solutions built to last.

Tuboshu delivers innovative, sustainable engineering built for Africa. Backed by decades of expertise, we design adaptive, high-performance solutions that solve real operational challenges. Our commitment to quality drives every project, supported by a trusted network for maintenance, technical assistance, and ongoing after-sales service.

Elevate Your Power



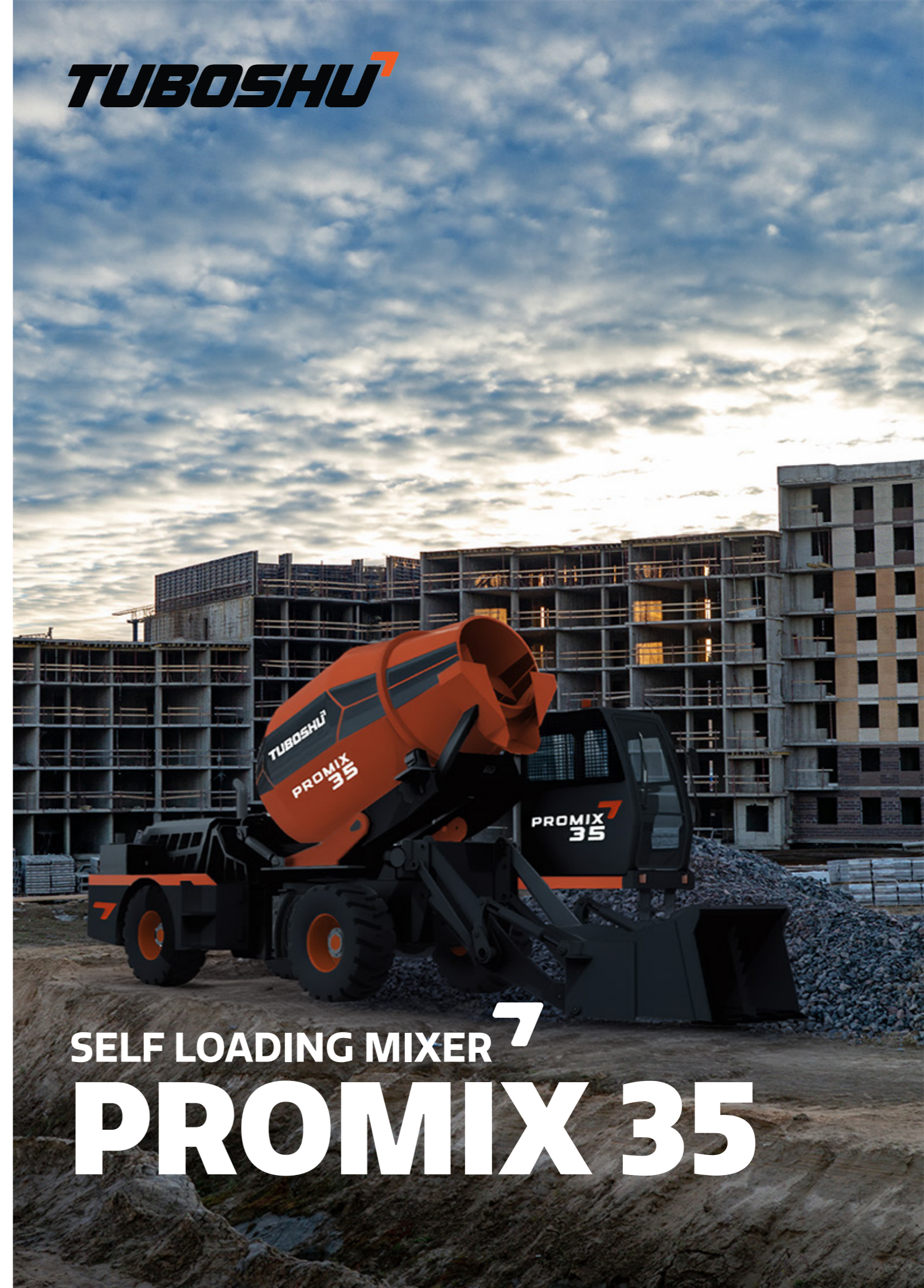
TUBOSHU⁷

© 2025 Tuboshu. All Rights Reserved

tuboshu.co.uk

Certain specification(s) are based on engineering calculations and are not actual measurements. Specification(s) are provided for comparison purposes only and are subject to change without notice. Specification(s) for your individual Tuboshu equipment will vary based on normal variations in design, manufacturing, operating conditions, and other factors. Pictures of Develon units may show other than standard equipment.

TUBOSHU⁷



SELF LOADING MIXER ⁷
PROMIX 35

TECHNICAL SPECIFICATION

CHARACTERISTICS

Manufacturer	TUBOSHU
Model	PROMIX 35
Configuration Number	TUAI35UK

GEAR BOX

Model	ZL300 Fully hydraulic dual high and low speed torque converter
Gear	4 forward 4 back
Fuel Oil Tank	120 L
Hydraulic Oil Tank	120 L
Oil Tank	16 L
Mixing Tank Capacity	5500L

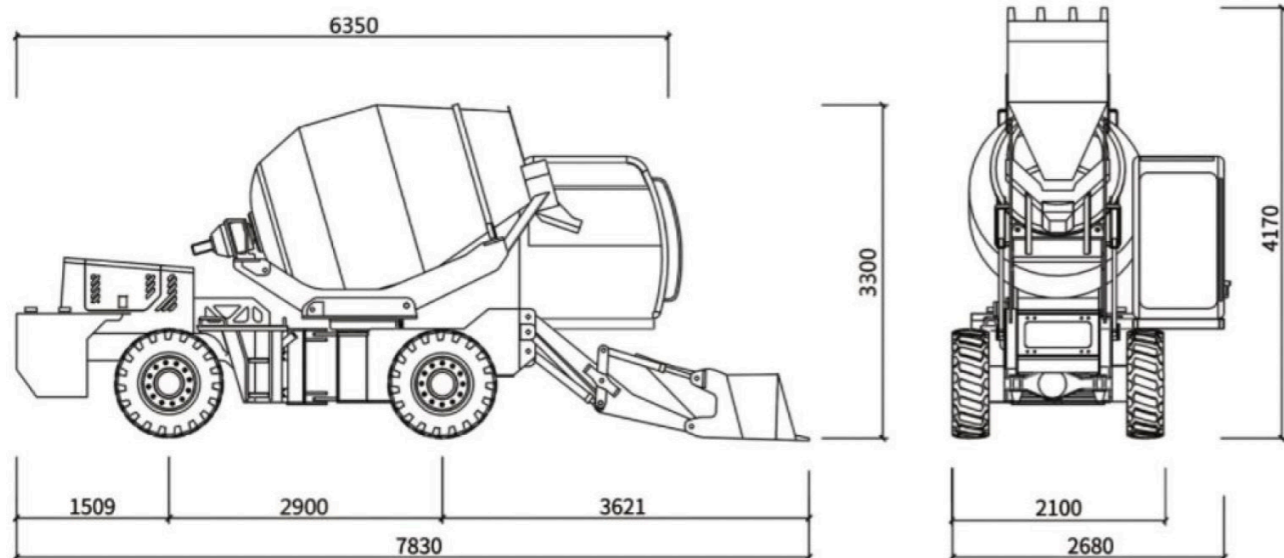
WATER SUPPLY

Water tank 800L	800 L
Water Supply	Flow Measurement

TRUCK CHASSIS

Size	7700mm*2750mm*3350mm
Wheel base	2750 mm
Driven	4 wheel driven
Max Speed	35 km/h
Minimum Turning Radius	3250 mm
Minimum Ground Clearance	350 mm

Scheme Drawings



TECHNICAL SPECIFICATION

Configuration

Advanced weighing system, ensure weighing accuracy of concrete and get high quality concrete
 Mixer drum 270 degree rotation, make the concrete pouring work much convenient
 Air conditioner of cab, ensure comfortable working environment of driver
 High pressure wash gun of the truck, make the truck cleaning work much easier

Application

Road construction work
 Ground foundation work
 Building construction work
 Different kinds of concrete pouring work

Hydraulic System



Weighing System

