

Engineering built smarter. Solutions built to last.

Tuboshu delivers innovative, sustainable engineering built for Africa. Backed by decades of expertise, we design adaptive, high-performance solutions that solve real operational challenges. Our commitment to quality drives every project, supported by a trusted network for maintenance, technical assistance, and ongoing after-sales service.

Elevate Your Power



TUBOSHU⁷

© 2025 Tuboshu. All Rights Reserved

tuboshu.co.uk

Certain specification(s) are based on engineering calculations and are not actual measurements. Specification(s) are provided for comparison purposes only and are subject to change without notice. Specification(s) for your individual Tuboshu equipment will vary based on normal variations in design, manufacturing, operating conditions, and other factors. Pictures of Develon units may show other than standard equipment.

TUBOSHU⁷



Reach Truck⁷ TRT25-E

TECHNICAL SPECIFICATION

CHARACTERISTICS

Manufacturer			TUBOSHU
Model			TRT25E
Configuration Number			TUHECDQ25UK
Drive			Stand On
Power Mode			Lithium Battery
Rated Capacity	Q	kg	2500
Load Centre Distance	C	mm	500
Wheelbase	Y	mm	1685

TYRE

Tyre Type			Polyeruthane
Wheels Number drive/caster/load (x=driven wheels)			1x2/2
Track Width, Load	b3	mm	1078
Wheel Size, Load		mm	285x100
Wheel Size, Drive		mm	330x114
Wheel Size, Caster		mm	178x76

DIMENSIONS

Lift Height	h3	mm	3000
Free Lift	h2	mm	120
Mast Height, Lowered	h1	mm	2135
Fork Size, thickness/width/length	s/e/l	mm	40x122x920
Fork Adjusting Width		mm	244-722
Truck Body Length (fork excluded)	L	mm	2085
Truck Body Width	b1	mm	1190
Distance Between Support Arms	b2	mm	846
Reach Distance	L4	mm	805
Height of Overhead Guard	h4	mm	2210
Ground Clearance Below Mast	m2	mm	75
Turning Radius	Wa	mm	1965
Load Distance, centre of support, arm wheel to face of forks	X	mm	635
Aisle Width with pallet 1100Lx1100W, clearance 200	Ast	mm	2910
Aisle Width with pallet 1000Lx1100W, clearance 200	Ast	mm	2845

PERFORMANCE

Travelling Speed with/without load		km/h	11/12
Lifting Speed with/without load		m/s	0.3/0.5
Lowering Speed with/without load		m/s	0.5/0.45
Reach Speed with/without load		m/s	0.19/0.19
Maximum Climbing Ability with/without load (S2-5min)		%	10/15

WEIGHT

Total Weight (with battery)		kg	3230
-----------------------------	--	----	------

TECHNICAL SPECIFICATION

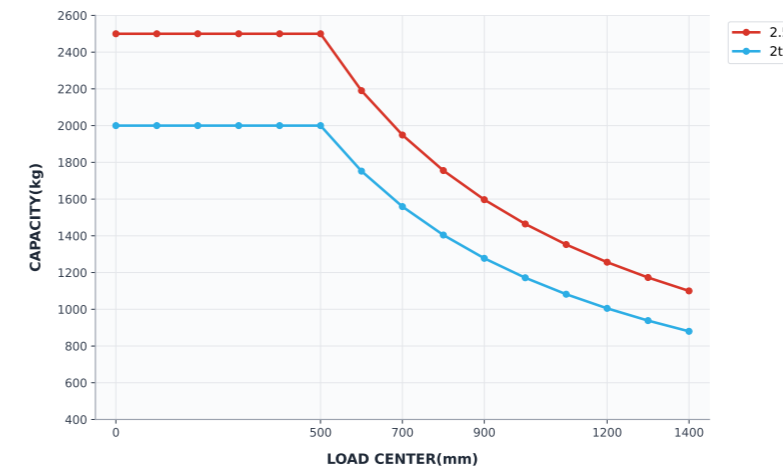
BATTERY

K5 Battery Voltage/Capacity K5		V/Ah	80/150
Battery Weight		kg	400
Battery Box Dimension		mm	1140x340x540

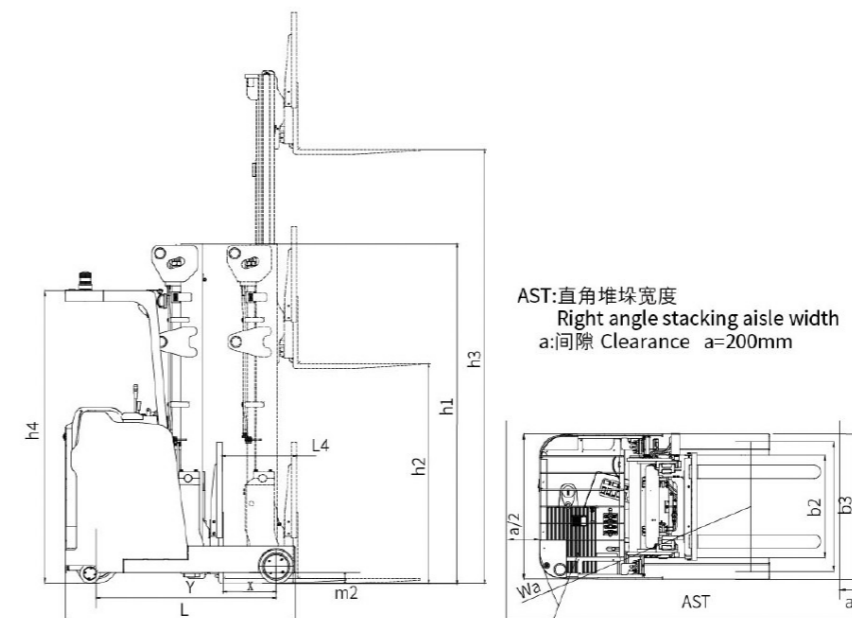
MOTOR AND CONTROLLER

Drive Motor Power		kW	6
Lifting Motor Power		kW	12
Steering Motor Power		kW	0.6
Type of Driving Control			MOSTET/AC
Type of Lifting Control			MOSTET/AC
Type of Steering Control			MOSTET/AC
Transmission Box			HELI Special Transmission Box
Service Brake			Electrical

Load curve



Note : The vertical axis stands for laod capacity and the horizontal axis stands for load center which is calculated from the front of the fork. The base point of the standard load refers to the center position of the cube with 1000mm length of side. When mast is tilted forward, non standard fork usage or load with over wide goods, load capacity will be reduced. Different load capacity in different load center can be known in time through load chart



TECHNICAL SPECIFICATION

2.5 T / WIDE VIEW MAST

MAST MODEL	Lifting Height (mm)	Free Lifting Height (mm)	Mast Height Lowered (mm)	Load Capacity (kg)	Mast Tilt Angle α/β (°)
M300	3000	120	2135	2500	2/4
M350	3500	120	2385	2500	2/4
M400	4000	120	2635	2500	2/4
M450	4500	120	2885	2400	2/4
M500	5000	120	3135	2300	2/4

2.5 T / WIDE VIEW MAST

MAST MODEL	Lifting Height (mm)	Free Lifting Height (mm)	Mast Height Lowered (mm)	Load Capacity (kg)	Mast Tilt Angle α/β (°)
ZSM430	4300	1140	2165	2500	2/4
ZSM460	4600	1240	2265	2400	2/4
ZSM480	4800	1300	2332	2350	2/4
ZSM500	5000	1367	2399	2300	2/4
ZSM540	5400	1500	2532	2200	2/4
ZSM570	5700	1600	2632	2150	2/4
ZSM600	6000	1700	2732	2050	2/4
ZSM630	6300	1800	2832	2000	2/4
ZSM675	6750	1950	2982	1850	2/4
ZSM700	7000	2040	3065	1800	2/4
ZSM715	7150	2090	3115	1750	2/4
ZSM750	7500	2200	3232	1700	2/4

