

Engineering built smarter. Solutions built to last.

Tuboshu delivers innovative, sustainable engineering built for Africa. Backed by decades of expertise, we design adaptive, high-performance solutions that solve real operational challenges. Our commitment to quality drives every project, supported by a trusted network for maintenance, technical assistance, and ongoing after-sales service.

Elevate Your Power



© 2025 Tuboshu. All Rights Reserved

tuboshu.co.uk

Certain specification(s) are based on engineering calculations and are not actual measurements. Specification(s) are provided for comparison purposes only and are subject to change without notice. Specification(s) for your individual Tuboshu equipment will vary based on normal variations in design, manufacturing, operating conditions, and other factors. Pictures of Develon units may show other than standard equipment.



4WD FORKLIFT **7**
TFR50/60/70D

TECHNICAL SPECIFICATION

CHARACTERISTICS

Manufacturer	TUBOSHU	TUBOSHU	TUBOSHU
Model	TF50D	TF60D	TF70D
Configuration Number	TUHECP50UK	TUHECP60UK	TUHECP70UK
Power Type	Diesel	Diesel	Diesel
Rated Capacity	5000 kg	6000 kg	7000 kg
Load Center	600 mm	600 mm	600 mm
Driving Mode	Sit-On Type	Sit-On Type	Sit-On Type
Total Weight (kg)	9000	9400	9800

DIMENSIONS

Lifting Height	H	mm	3000		
Max. Height Extended (fork to the ground, vertical mast)	H1	mm	2285		
Max. Height Extended (with backrest)	H2	mm	4367		
Free Lifting Height	H3	mm	160		
Height of Overhead Guard	H4	mm	2570		
Min. Ground Clearance	H5	mm	385		
Height of Backrest	H13	mm	1370		
Overall Length (with/without fork)	L/L'	mm	4960/3740	4990/3770	5020/3800
Wheelbase	L1	mm	2300		
Front Overhang	L2	mm	735		
Rear Overhang	L3	mm	720	750	780
Overall Width	W1	mm	2180		
Track Width (front/rear)	W3	mm	1700/1800		
Adjustment Range of Fork (outside fork Max/Min)	W5	mm	2000/300		
Min. Turning Radius	r	mm	4450	4480	4510
Mast Tilt Angle (fwd/bwd)	α/β	$^{\circ}$	15/15		
Fork Size: Thickness x Width x Length (customizable)	TxWxL4	mm	55x150x1220	60x160x1220	65x150x1220
Min. Right Angle Stacking Aisle Width for Pallet	Ra	mm	5500	5550	5600

PERFORMANCE

Max. Traveling Speeds (laden/unladen)		km/h	30/32		
Lifting Speeds (laden/unladen)		mm/s	480/52		
Lowering Speeds (laden/unladen)		mm/s	370/350		
Max. Drawbar Pull (laden)		kN	123		
Max. Gradeability, Laden		%	68	64	60

TYRES

Wheels Number front/rear (x=driven)			2X2		
Tyre Type			Tubless Tyre		
Tyre Size (front)			445/65-22.5TL		
Tyre Size (rear)			12.5/80/18TL		

TRANSMISSION

Transmission Gears (front/rear)		km/h	3-1 Power Shift M/T		
---------------------------------	--	------	---------------------	--	--

TECHNICAL SPECIFICATION

5-7 T Wide Views Standard Mast

MAST MODEL	MAX LIFTING HEIGHT (mm)	LOAD CAPACITY (load center 600mm) (kg)			LOWERED MAST HEIGHT (mm)	EXTENDED MAST HEIGHT WITH BACK-REST (mm)	FREE LIFT HEIGHT (mm)	SERVICE WEIGHT (KG)			MAST TILT ANGLE α/β ($^{\circ}$)
		5T	6T	7T				5T	6T	7T	
	5-7 T	5T	6T	7T	5-7 T	5-7 T	5-7 T	5T	6T	7T	5-7T
M220	2200	5000	6000	7000	2285	3567	160	8896	9316	9736	15/15
M250	2500	5000	6000	7000	2435	3867	160	8934	9354	9774	15/15
M270	2700	5000	6000	7000	2535	4067	160	8961	9381	9801	15/15
M300	3000	5000	6000	7000	2685	4367	160	9000	9420	9840	15/15
M330	3300	5000	6000	7000	2835	4667	160	9039	9459	9879	15/15
M350	3500	5000	6000	7000	2935	4867	160	9065	9485	9905	15/15
M375	3750	5000	6000	7000	3060	5117	160	9098	9518	9938	15/15
M400	4000	5000	6000	7000	3235	5367	160	9231	9615	10071	15/15
M425	4250	5000	6000	7000	3360	5617	160	9263	9683	10103	15/15
M450	4500	5000	6000	7000	3485	5867	160	9296	9716	10136	15/15
M475	4750	5000	6000	7000	3610	6117	160	9329	9749	10169	15/10
M500	5000	5000	6000	7000	3735	6367	160	9362	9782	10202	15/10
M550	5500	5000	6000	7000	4035	6867	160	9526	9946	10366	15/10
M600	6000	5000	6000	7000	4285	7367	160	9592	10012	10432	15/10

5-7 T Wide Full View 2-Stage Mast

MAST MODEL	MAX LIFTING HEIGHT (mm)	LOAD CAPACITY (load center 600mm) (kg)			LOWERED MAST HEIGHT (mm)	EXTENDED MAST HEIGHT WITH BACK-REST (mm)	FREE LIFT HEIGHT (mm)	SERVICE WEIGHT (KG)			MAST TILT ANGLE α/β ($^{\circ}$)
		5T	6T	7T				5T	6T	7T	
	5-7 T	5T	6T	7T	5-7 T	5-7 T	5-7 T	5T	6T	7T	5-7T
ZM220	2200	5000	6000	7000	2285	3567	858	8946	9336	9786	15/15
ZM250	2500	5000	6000	7000	2435	3867	1008	8984	9404	9824	15/15
ZM270	2700	5000	6000	7000	2535	4067	1108	9011	9431	9851	15/15
ZM300	3000	5000	6000	7000	2685	4367	1258	9050	9470	9890	15/15
ZM330	3300	5000	6000	7000	2835	4667	1408	9089	9509	9929	15/15
ZM350	3500	5000	6000	7000	2935	4867	1508	9115	9535	9955	15/15
ZM375	3750	5000	6000	7000	3060	5117	1633	9148	9568	9988	15/15
ZM400	4000	5000	6000	7000	3235	5367	1808	9281	9701	10121	15/15
ZM425	4250	5000	6000	7000	3360	5617	1933	9313	9733	10153	15/15
ZM450	4500	5000	6000	7000	3485	5867	2058	9346	9766	10186	15/15
ZM475	4750	5000	6000	7000	3610	6117	2183	9379	9799	10219	15/10
ZM500	5000	5000	6000	7000	3735	6367	2308	9412	9832	10252	15/10
ZM550	5500	5000	6000	7000	4035	6867	2608	9576	9996	10416	15/10
ZM600	6000	5000	6000	7000	4285	7367	2858	9642	10062	10482	15/10

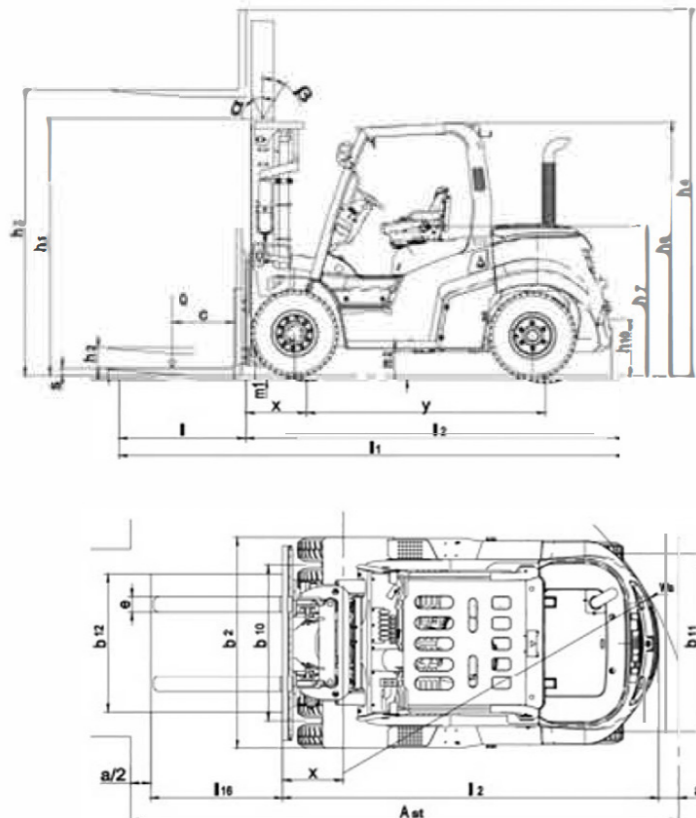
TECHNICAL SPECIFICATION

5-7 T Wide Full View 3-Stage Mast

MAST MODEL	MAX LIFTING HEIGHT (mm)	LOAD CAPACITY (load center 600mm) (kg)			LOWERED MAST HEIGHT (mm)	EXTENDED MAST HEIGHT WITH BACK-REST (mm)	FREE LIFT HEIGHT (mm)	SERVICE WEIGHT (KG)			MAST TILT ANGLE α/β (°)
		5T	6T	7T				5-7 T	6T	7T	
ZSM360	3600	4500	5600	6200	2560	4967	1133	9548	9958	10378	15/10
ZSM400	4000	4500	5600	6200	2685	5367	1258	9597	10017	10437	15/10
ZSM435	4350	4500	5600	6200	2810	5717	1383	9652	10072	10492	15/10
ZSM450	4500	4500	5600	6200	2860	5867	1433	9690	10110	10530	15/10
ZSM470	4700	4500	5600	6200	2965	6167	1538	9727	10147	10567	15/10
ZSM480	4800	4500	5600	6200	3030	6367	1603	9755	10175	10595	10/10
ZSM500	5000	4200	5300	6200	3165	6767	1738	9820	10240	10660	10/10
ZSM550	5500	4100	5200	5800	3195	6867	1768	9910	10330	10750	10/10
ZSM600	6000	4000	5000	5600	3360	7367	1933	10003	10423	10843	10/10

COMBUSTION ENGINE

Engine Manufacturer / Model		TRF50	TRF60	TRF70	
		CUMMINS F3.8 CU1Y4G3	CUMMINS F3.8 CU3Y4G3	CUMMINS F4.5	QUANCHAI QC4Y3G3
Rated Power/Speed	kW/rpm	90/2200	86/2200	89/2200	85/2200
Max. Torque / Speed	Nm/rpm	500/1500	470/1320	500/1400-1700	440/1000
Cylinder Number - bore x stroke Engine Displacement	/L	4-102x115/3.8	4-102x115/3.8	4-107x124/4.5	4-105x124/4.29
Emission		Europe V	Europe III A	China IV	China IV



TECHNICAL SPECIFICATION

Eco-Conscious Performance

The QSF3.8 Euro V power engine of Cummins is equipped with DOC+ DPF + SCR post-treatment technology meeting the most stringent emission standards;

Smart & Comfortable

Standard configuration of ZF tiptronic transmission

- Full time free gear control of front 3/ rear 3 is suitable for complex working conditions;
- The proportional valve can control the gear shift accurately and smoothly, which makes driving comfortable;
- Step less speed limit from 5km / h to the maximum speed can be realized and it is suitable for different application;
- Electronic control system and gearbox clutch calibration function offer long-term and efficient operation through smart protection on transmission box.

Through LCD instrument and human-computer interaction, the operator can monitor the truck status in real time.

Electronic architecture based on CAN bus communication

- More concise wiring harness
- More efficient communication
- greatly reduce Communication failure rate, more reliable

Vibration shock reduction

When driving under load conditions, the impact caused by uneven surface is greatly absorbed, and the vibration is effectively reduced.

Vibration and noise reduction

When driving under load condition, the impact noise caused by uneven surface is greatly reduced.

Reduced driving fatigue

During the emergency stop operation during the load lowering process, the vibration and driving fatigue caused by inertia impact can be effectively reduced, and the driving safety can be improved.

Operator Safety & System Protection

- Operator present system (after the driver leaves the seat accidentally, walking and lifting function of the whole truck is terminated) prevents the potential safety hazards caused by misoperation.
- When parking brake works, truck travel function is prohibited and thus the safety of driving operation is improved;
- Start protection function, fingertip operation system and anti-restart protection function from non-neutral gear ensure operation safety;
- The truck is equipped with large capacity air filter with safety filter element and pressure alarm function;
- The optimal design of power suspension increases the limit of impact to protect the power assembly from accidental impact;
- Truck safety warning: reverse image system, warning light, etc. (optional)