

# **FORKLIFT** **TF30E-H** **ELECTRIC**

A powerful electric machine that can lift up to 3 tons of weight, making it suitable for a variety of heavy-duty applications



## **TUBOSHU**

SUITE 5, 66 WESTBOURNE TERRACE  
LONDON, ENGLAND W2 3UJ  
T: +44 7457 405 800

CHARACTERISTICS			
Manufacturer			TUBOSHU
Model			TF30-E
Configuration Number			CPD30-A3LIH4-M
Rated Capacity			3000
Load Centre Distance	Q	kg	500
Power Mode	C	mm	Lithium Battery
Driving Mode			Seated
Front Overhang	x	mm	477
Wheelbase	y	mm	1750
WEIGHT			
Total Weight (With/Without Battery)		kg	4550/4310
Axle Load (Laden, Front/Rear)		kg	6750/800
Axle Load (Unladen, Front/Rear)		kg	2050/2500
TYRES			
Tyre Type			Pneumatic (front), solid (rear)
Tyre Size, Front			28x9-15-14 APR
Tyre Size, Rear			18x7-8
Wheels Number Front/Rear			2/2
Tread, Front	b10	mm	1000
Tread, Rear	b11	mm	970
DIMENSIONS			
Mast Tilt Angle	$\alpha/\beta$	°	6/10
Height (Mast Lowered)	h1	mm	2070
Free lifting height	h2	mm	155
Lifting Height (Standard)	h3	mm	3000
Max Height Extended (With Backrest)	h4	mm	4217
Height of Overhead Guard	h6	mm	2180
Seat Height Relating to SIP (to Ground)	h7	mm	1164
Towing Coupling Height	h10	mm	310
Overall Length with Fork	l1	mm	3637
Overall Length without Fork	l2	mm	2567
Overall Width	b1	mm	1260
Fork Carriage According to ISO2328			3A
Fork Size (thickness x width x length)	s/e/l	mm	45 x 125 x 1070
Distance Across Fork-Arms MAX/MIN	b5	mm	1060/250
Ground Clearance at Mast	m1	mm	110
Ground Clearance (center of wheelbase)	m2	mm	135
Right Angle Stacking Aisle Width For Pallet (1000x1200mm) the Side of 1200 mm Is Placed Across The Forks	Ast	mm	3912
Right Angle Stacking Aisle Width For Pallet (800x1200mm) the Side of 1200 mm Is Placed Across The Forks	Ast	mm	4115
Minimum Outside Turning Radius	Wa	mm	2235
PERFORMANCE DATA			
Travel Speed (Laden/Unladen)		km/h	14.5/15
Lift Speed (Laden/Unladen)		m/s	0.320/0.440
Lowering Speed (Laden/Unladen)		m/s	0.400/0.400
Max. Draubar Pull (Laden/Unladen)		N	16300/15800
Max. Gradeability (Laden/Unladen)		%	17/26
Acceleration Time/10 m (Laden/Unladen)		s	5.7/5.1

LITHIUM BATTERY																			
BATTERY BRAND	HELI							CATL											
VOLTAGE/CAPACITY	80V 125Ah	80V 150Ah	80V 202Ah	80V 250Ah	80V 280Ah	80V 404Ah	80V 560Ah	80V 125Ah	80V 150Ah	80V 173Ah	80V 202Ah	80V 228Ah	80V 271Ah	80V 302Ah	80V 346Ah	80V 1404h	80V 456Ah	80V 542Ah	80V 604Ah
1.5-1.8t S	x	o	o	o	o	-	-	o	o	o	o	o	o	o	-	-	-	-	-
1.5-1.8t M	-	x	o	o	o	-	-	-	o	o	o	o	o	o	-	-	-	-	-
2t(X)S	-	x	o	o	o	-	-	-	o	o	o	o	o	o	-	-	-	-	-
2-2.5t S	-	x	o	o	o	o	-	-	o	o	o	o	o	o	o	o	-	-	-
2-2.5t M	-	-	x	o	o	o	-	-	-	-	o	o	o	o	o	o	-	-	-
3-3.5t S	-	-	x	o	o	o	o	-	-	-	o	o	o	o	o	o	o	o	o
3-3.5t M	-	-	-	x	o	o	o	-	-	-	-	-	o	o	o	o	o	o	o
3.8 S	-	-	-	x	o	o	o	-	-	-	-	-	o	o	o	o	o	o	o
Heating At Low Temp	X																		

"x" standard | "o" optional | "-" non-configurable

CHARGER		
Model		<b>D80V100AL-438</b>
Wiring Type		Three-phase four-wiring type
Power of Charger	KVA	10
Air Switch Model of Upper Level Power	A	32
Input Voltage Range	Vac	380±15%
Input Current	A	<20
Output Current	A	5-100
Protection Level		for indoor use
Workinh Ambient Temperature	°C	-20±+45
Plugs and Sockets		REMA320
Charger		full charging time=required charging capacity/charging current+0.2h for example: the battery capacity is 80V/250Ah and the discharging state is alarmed by instrument. The charger is 100A, thus the full charging time is 250*0.9/100+0.2=2.45h

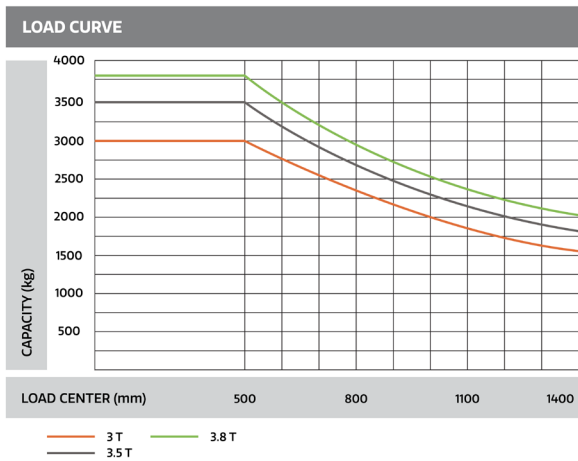
#### LITHIUM BATTERY ADVANTAGES

- The truck selects mature and economical square iron phosphate lithium battery core and module used by large numbers of commercial vehicles;
- The module adopts aluminum alloy plate frame, which is firm, light in weight and has good heat dissipation effect;
- Fast charging: fast charging makes truck gapless operation possible, and it can be filled in 2 hours;
- High efficiency and safety: The charging and discharging efficiency is up to 98%, and temperature of thermal runaway is over 600 °c;
- Low temperature adaptability: Standard configuration of heating function ensures normal operation of low temperature environment;
- Long service life:the normal charging and discharging cycles is more than 3000times or 5years, and capacity retention rate is more than 75%;
- Maintenance free: the battery does not need manual maintenance and does not need to add distilled water electrolyte;
- Green and clean: no pollution and zero emission.

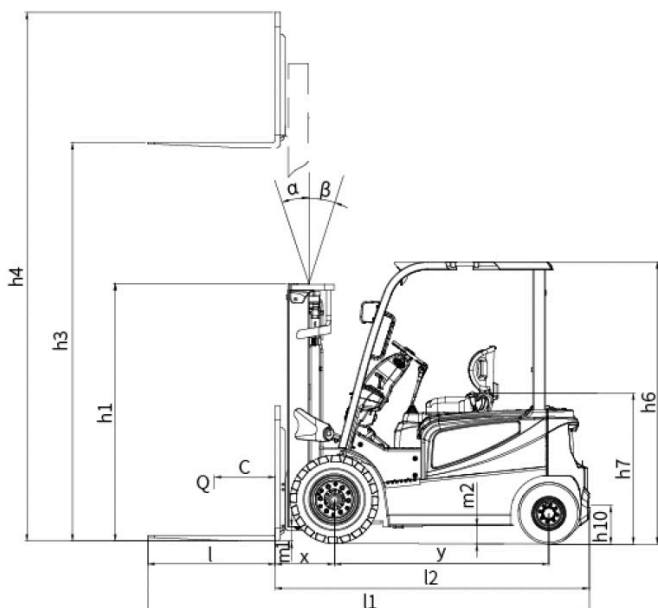
#### TUBOSHU Smart Fleet Management System (Domestic Base Edition)

VEHICLE POSITIONING	STATISTICAL FORM
REMOTE DIAGNOSIS	VEHICLE MANAGEMENT
REMOTE MONITORING	IDENTIFICATION RECOGNITION (OPTIONAL)
MAINTENANCE REMINDER	WEIGHT MANAGEMENT (OPTIONAL)
BATTERY MANAGEMENT	COLLISION MANAGEMENT (OPTIONAL)

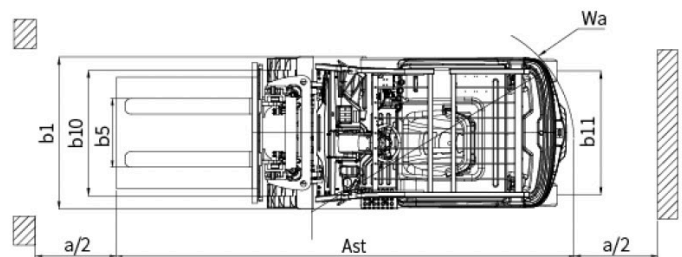
BATTERY			
Battery Voltage/Capacity		V/Ah	80/250
Battery Weight		kg	240
MOTOR & CONTROLLER			
Driving Motor Powering (S2-60min)		kW	15
Lifting Motor Powering (S3-15%)		kW	16
Driving Motor Controlling Mode			MOSFET/AC
Lifting Motor Controlling Mode			MOSFET/AC
ADDITIONAL DATA			
Service Brake/Parking Brake			Hydraulic/Mechanical
Operating Pressure for Attachements		Mpa	16



**Note :** The vertical axis stands for load capacity and the horizontal axis stands for load center which is calculated from the front of the fork. The base point of the standard load refers to the center position of the cube with 1000mm length of side. When mast is tilted forward, non standard fork usage or load with over wide goods, load capacity will be reduced. Different load capacity in different load center can be known in time through load chart



Ast: right angle stacking aisle width  
a: clearance 200mm



3T/3.5T/3.8T -2 STAGE STANDARD MAST														
MAST MODEL	MAX FORK HEIGHT mm	LOAD CAPACITY kg			HEIGHT (mm)			FREE LIFT HEIGHT WITH BAKREST (mm)			SERVICE WEIGHT (KG)			MAST TILT ANGLE α/β (°)
		3T	3.5T	3.8T	3T	3.5T	3.8T	3T	3.5T	3.8T	3T-M	3.5T-M	3.8T	
M200	2000	3000	3500	3800	1570	1620	1680	155	160	160	4454	4754	5134	6/10
M250	2500	3000	3500	3800	1820	1870	1930	155	160	160	4502	4807	5187	6/10
M300	3000	3000	3500	3800	2070	2120	2180	155	160	160	4550	4860	5240	6/10
M330	3300	3000	3500	3800	2220	2270	2330	155	160	160	4579	4892	5272	6/10
M350	3500	3000	3500	3800	2320	2370	2430	155	160	160	4598	4913	5293	6/10
M370	3700	3000	3300	3800	2420	2470	2530	155	160	160	4617	4934	5314	6/6
M400	4000	2850	3150	3700	2620	2670	2730	155	160	160	4697	5018	5398	6/6
M425	4250	2750*2800	3050*3150	3550*3650	2745	2795	2855	155	160	160	4721	5044	5424	6/6 *6/10
M450	4500	2600*2700	2800-3000	3400*3600	2870	2920	2980	155	160	160	4745	5071	5451	6/6 *6/10
M500	5000	2200*2350	2450*2500	3000*3200	3120	3170	3230	155	160	160	4793	5124	5504	6/6 *6/6
M550	5500	1950*2150	2300*2350	2700*3000	3420	3470	3530	155	160	160	4891	5228	5608	3/6 *3/6
M600	6000	1300*1900	1450*2100	2200*2600	3670	3720	3780	155	160	160	4939	5281	5661	3/6 *3/6

3T/3.5T/3.8T -2 STAGE FULL FREE MAST														
MAST MODEL	MAX FORK HEIGHT mm	LOAD CAPACITY kg			HEIGHT (mm)			FREE LIFT HEIGHT WITH BAKREST (mm)			SERVICE WEIGHT (KG)			MAST TILT ANGLE α/β (°)
		3T-M	3.5T-M	3.8 T	3T	3.5T	3.8T	3T	3.5T	3.8T	3T-M	3.5T-M	3.8T	
ZM200	2000	3000	3500	3800	1570	1620	1680	340	443	503	4482	4778	5158	6/10
ZM250	2500	3000	3500	3800	1820	1870	1930	590	693	753	4532	4831	5211	6/10
ZM300	3000	3000	3500	3800	2070	2120	2180	840	943	1003	4582	4885	5265	6/10
ZM330	3300	3000	3500	3800	2220	2270	2330	990	1093	1153	4614	4918	5298	6/10
ZM350	3500	3000	3500	3800	2320	2370	2430	1090	1193	1253	4634	4939	5319	6/10
ZM370	3700	3000	3200	3800	2420	2470	2530	1190	1293	1353	4654	4960	5340	6/6
ZM400	4000	2850	3200	3700	2620	2670	2730	1390	1493	1553	4732	5040	5420	6/6
ZM425	4250	2650*2700	3050*3150	-	2745	2795	2855	1515	1618	-	4758	5067	-	6/6*6/10
ZM450	4500	2500*2600	2850*3050	-	2870	2920	2980	1640	1743	-	4786	5096	-	6/6*6/6
ZM500	5000	2100*2600	2350*2750	-	3120	3170	3230	1890	1993	-	4840	5152	-	6/6*3/6
ZM550	5500	1950*2400	2200*2550	-	3420	3470	3530	2190	2293	-	4939	5255	-	3/6*3/6
ZM600	6000	1300*2000	1350*2200	-	3670	3720	3780	2440	2543	-	4992	5311	-	3/6*3/6

3T/3.5T/3.8T -3 STAGE FULL FREE MAST														
MAST MODEL	MAX FORK HEIGHT mm	LOAD CAPACITY kg			HEIGHT (mm)			FREE LIFT HEIGHT WITH BAKREST (mm)						
		3T-M	3.5T-M	3.8 T	3T	3.5T	3.8T	3T	3.5T	3.8T	3T-M	3.5T-M	3.8T	
ZSM360	3600	2850	3250	3800	1870	1870	1930	640	640	693	4693	4971	5354	6/6
ZSM400	4000	2750	3100	3700	2020	2020	2055	790	790	843	4734	5012	5395	6/6
ZSM435	4350	2550*2600	2950*3100	3500*3600	2120	2120	2180	890	890	943	4763	5041	5424	6/6*6/6
ZSM450	4500	2450*2600	2850*3000	3400*3600	2170	2170	2230	940	940	993	4778	5056	5439	6/6*6/6
ZSM470	4700	2400*2550	2650*2700	3100*3200	2230	2230	2295	1000	1000	1053	4796	5074	5457	6/6*6/6
ZSM480	4800	2350*2550	2550*2600	3100*3200	2270	2270	2330	1040	1040	1093	4806	5084	5467	6/6*6/6
ZSM500	5000	2100*2550	2350*2450	3000*3150	2370	2370	2430	1140	1140	1193	4833	5111	5494	6/6*6/6
ZSM540	5400	1950*2350	2200*2400	2700*3000	2470	2470	2555	1240	1240	1293	4863	5141	5524	3/6*3/6
ZSM600	6000	1250*2200	1300*2400	2200*2600	2670	2670	2780	1440	1440	1493	4967	5153	5628	3/6*3/6
ZMS650	6500	950*1900	1000*2200	-	2870	2870	-	1640	1640	-	5022	5300	-	3/3*3/3
ZSM700	7000	*1800	*2000	-	3045	3045	-	1815	1815	-	5072	5350	-	3/3*3/3

NOTE:  
 \* Indicates the rated load capacity of the front wheel with twin tyres; when the front wheels of 3-3.5T are twin tyres (solid tyres), the service weight is increased by 140kg and 208kg respectively according to the table data; when the front wheels of 3.8T are twin tyres (pneumatic tyres) and twin tyres (solid tyres), the service weight is increased by 103kg and 251kg respectively according to the table data.  
 2-stage full free mast: 3T, when there is no backrest, the free lifting height increases by 477mm; 3.5-3.8T, when there is no backrest, the free lifting height increases by 407mm  
 3-stage full free mast: 3T, when there is no backrest, the free lifting height increases by 427mm; 3.5-3.8T, when there is no backrest, the free lifting height increases by 407mm

OPTIONAL ITEMS				
	MODEL	S	M	
BASIC ITEMS	Pneumatic Tyre*	◊	◊	
	Solid Tyre	-	-	
	Single Tyre (front wheel)	◊	◊	
	Twin Tyre (front wheel)**	-	-	
	Tuo Piece Valve	◊	◊	
	Three or Four Piece Valve	-	-	
	Basic Type (3M Lifting Height)	◊	◊	
	Other Type and Other Height Seriesmast***	-	-	
	Standard Series Fork	◊	◊	
	Non Standard Series Forks and Attachments	-	-	
SAFETY ITEMS	Standard Exterior Color (blue grey + Tuboshu orange)	◊	◊	
	Other Exterior Colors (customized)	-	-	
	Turning Speed Limit	-	-	
	Reversing Armrest with Horn Switch	-	◊	
	Overspeed 5km/h Alarm	-	-	
	Overspeed 8km/h Alarm	-	-	
	Overspeed 10km/h Alarm	-	-	
	Travelling+Lifting+Tilting+Equipped with OPS Function (without lowering)	◊	◊	
	Full Set of OPS Functions	-	-	
	Seatbelt Switch	-	-	
	Multi-Way Valve Overload	-	-	
	Dry Powder Fire Extinguisher (0.5kg)	-	-	
	Dry Powder Fire Extinguisher (2kg)	-	-	
	Carbon Dioxide Fire Extinguisher (2kg)	-	-	
	Reversing Buzzer	◊	◊	
Reversing Chinese Speaker	◊	◊		
No Universal Key	-	-		
With Universal Key	-	-		
Electronic Lifting Upper Buffer	-	-		
Central Wide-Angle Rearview Mirror	◊	◊		
Both Side Rearview Mirror+ Centre Wide-Angle Rearview Mirror	-	-		
Reversing Radar (4 Probes)	-	-		
Reversing Image (1 Camera + 4 Radar Probes)	-	-		

OPTIONAL ITEMS				
	MODEL	S	M	
COMFORT ITEMS	Semi Enclosed Seat	◊	◊	
	Fully Suspended Seat	-	-	
	Instrument Panel with 1 USB Interface (5V/1A)	-	-	
	Steering Wheel Starts Steering	-	-	
	Synchronous Steering	-	-	
	Steering Wheel with Handle Ball	◊	◊	
	Steering Wheel without Handle Ball	-	-	
	Electric Fan	-	-	
	Panel Mounted Cab (including fan & wiper)	-	-	
	Heater	-	-	
CAB/ WINDSHIELD/ AIR CONDITIONNER/ HEATER	Single Cooling Air Conditionner	-	-	
	Single Cooling Air Conditionner + Heater	-	-	
	Font Windshield (including wiper)	-	-	
	Rear Windshield	-	-	
	Top Windshield (excluding fan)	-	-	
NON STANDARD OVERHEAD GUARD	50 mm Increased of Overhead Guard Height	-	-	
	Overhead Guard (with protective net)	-	-	
LIGHTS	LED rear Work Light x1	-	-	
	Rear LED Red/Blue Spotlight x1	-	-	
	Rear & Lateral Red/Blue Bar Lights	-	-	
	Fixed LED Flashing Warning Light	-	◊	
	Fixed LED Rotary Warning Light	-	-	
OTHERS	Fixed LED Rotary Buzzing Warning Light	-	-	
	Metric Thread	◊	◊	
	Tilt Cylinder Jacket	-	-	
	Steering Cylinder Jacket	-	-	
	REMA Power Connector	◊	◊	
	Domestic Battery	◊	◊	
	GS Battery	-	-	
	HOPPECKE Battery	-	-	
	FAAM Battery	-	-	
	Battery with Automatic Water Replenishment	-	-	
FICS Standard Type (for China)	-	-		

◊ Optional | - Not Optional | Some non standard options need to be customized. Please consult local sales personnel or product development technicians before purchasing.  
 \* 3-3.8 T rear wheel is equipped with solid tyre as standard  
 \*\* The small 2T truck is not equipped with twin tyres  
 \*\*\* There are restrictions on the type and height of dmsll 2T and 3.8T mast. See the table of mast parameters for details