



- Intuitive PaveManager 2.0 user interface
- Integrated advanced leveling solutions
- Long lasting track design
- Perfect overview with slidable cabin
- Efficient drive train

TECHNICAL DATA

MASSES

Basic weight incl. standard screed 18.50 t

DIMENSIONS

Basic width 2.55 m
 Working width, minimum (with reducing shoe) 2.05 m
 Working width, max. 9 m
 Front ramp angle 15°

CAPACITY

Placement thickness (max) 310 mm
 Theoretical placement capacity 700 t/h

MATERIAL HOPPER

Capacity 6.0 m³
 Dumping height (center/outside) 555 mm /560 mm
 Hopper width, internal 3.29 m

TRACTION

Maximum paving speed 28 m/min
 Transport speed 4.0 km/h

ENGINE

Manufacturer/Model Cummins QSB6.7-C173
 Emissions according to EU Stage IIIA
 Rated power, SAE J1995 129 kW @ 2200 rpm
 Electrical system 24 V
 Fuel tank capacity 337 l

ENGINE

Manufacturer/Model Cummins B6.7CSIV175F
 Emissions according to China IV
 Rated power, SAE J1996 129 kW @ 2200 rpm
 Electrical system 24 V
 DEF tank capacity 37 l
 Fuel tank capacity 362 l

ENGINE

Manufacturer/Model Cummins QSB6.7-C173
 Emissions according to Stage V /US EPA T4f
 Rated power, SAE J1995 129 kW @ 2200 rpm
 Electrical system 24 V
 DEF tank capacity 37 l
 Fuel tank capacity 362 l

UNDERCARRIAGE

Crawler length 2.90 m
 Crawler width 320 mm
 Drive Technology Hydrostatic

CONVEYOR

Conveyor type Dual bar feeder
 Conveyor control Automatic with limit switches
 Conveyor width 2 x 655 mm

AUGER

Auger diameter 380 mm
 Auger control Automatic with ultrasonic sensors

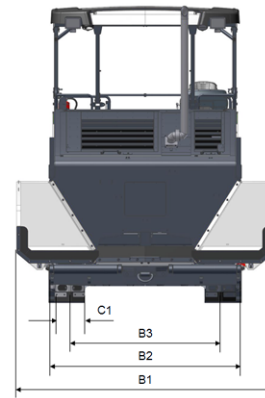
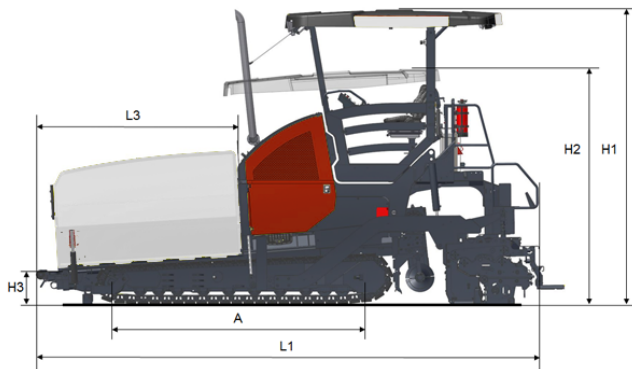
Find us locally at www.dynapac.com

We reserve the right to change specifications without notice. Photos and illustrations do not always show standard versions of machines. The above information is a general description only, all informations are supplied without liability.



- Intuitive PaveManager 2.0 user interface
- Integrated advanced leveling solutions
- Long lasting track design
- Perfect overview with slidable cabin
- Efficient drive train

DIMENSIONS



DIMENSIONS

A. Axle track	2.90 m
B1. Width, max.	3.40 m
B2. Width, standard	2.55 m
B3. Width, center of tracks	1.99 m
C1. Track width	0.32 m
H1. Height, max.	3.90 m
H2. Height, transport	3.10 m
H3. Height	0.49 m
L1. Length	6.15 m
L3. Length, hopper	2.12 m

STANDARD EQUIPMENT

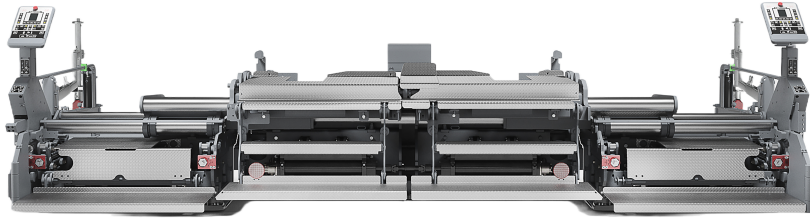
Fixed, pivotable

OPTIONAL EQUIPMENT

Hydraulic damping and stepless adjustable (20cm) with automatic function

Find us locally at www.dynapac.com

We reserve the right to change specifications without notice. Photos and illustrations do not always show standard versions of machines. The above information is a general description only, all informations are supplied without liability.



COMPATIBLE SCREEDS

V5100 TV / TV E / TH E



V6000 TV / TV E / TH E



Find us locally at www.dynapac.com

We reserve the right to change specifications without notice. Photos and illustrations do not always show standard versions of machines. The above information is a general description only, all informations are supplied without liability.