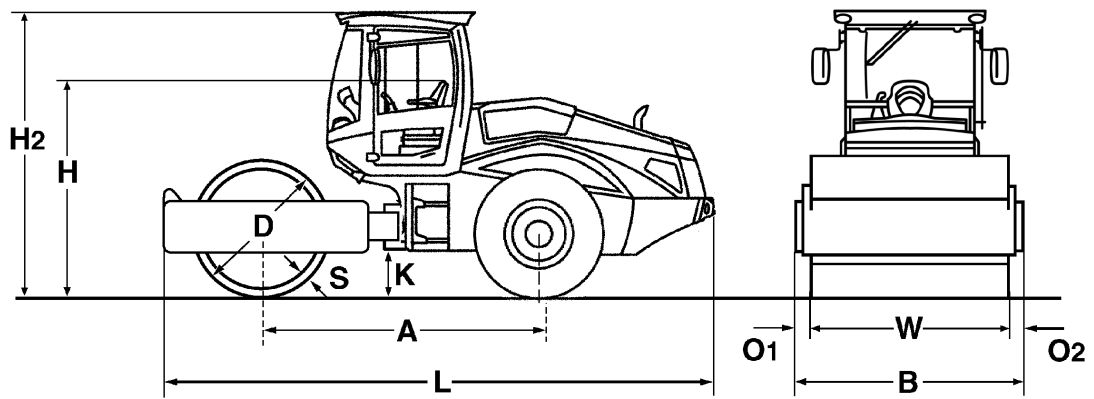


TECHNICAL DATA

SINGLE DRUM ROLLERS

BW 211 -40, BW 211 D-40





Dimensions in mm

	A	B	D	H	H2	K	L	O1	O2	S	W
BW 211 -40	2960	2250	1500	2270	2990	490	5840	60	60	25	2130
BW 211 D-40	2960	2250	1500	2270	2990	490	5840	60	60	25	2130

Shipping dimensions in m3

BW 211 -40
BW 211 D-40

without ROPS

29,828
29,828

with ROPS

39,289
39,289

Machine type	Compaction output (m3/h)			
	Rock fill	Gravel, sand	Mixed soil	Silt, clay
BW 211 -40	400-800	270-540	220-440	110-220
BW 211 D-40	400-800	270-540	220-440	160-320

Machine type	Compacted layer thickness (m)			
	Rock fill	Gravel, sand	Mixed soil	Silt, clay
BW 211 -40	0,70	0,50	0,40	0,20
BW 211 D-40	0,70	0,50	0,40	0,25

Technical Data**BOMAG
BW 211 -40****BOMAG
BW 211 D-40****Weights**

Grossweight	kg	13.000	13.000
Max. axle load, drum CECE	kg	8.050	8.050
Max. axle load, wheels CECE	kg	4.950	4.950
Operating weight CECE	kg	10.350	10.350
Axle load, drum CECE	kg	5.800	5.800
Axle load, wheels CECE	kg	4.550	4.550
Static linear load CECE	kg/cm	27,2	27,2
Max. static linear load CECE	kg/cm	37,8	37,8

Dimensions

Working width	mm	2.130	2.130
Track radius, inner	mm	3.490	3.490

Driving Characteristics

Speed (1)	km/h	0- 4,0	0- 4,0
Speed (2)	km/h	0- 9,0	0- 9,0
Max. gradeability without/with vibr.	%	37/35	45/43

Drive

Engine manufacturer		Cummins	Cummins
Type		4BTA 3.9	4BTA 3.9
Emission stage		Stage II / TIER2	Stage II / TIER2
Cooling		Liquid	Liquid
Number of cylinders		4	4
Performance ISO 3046	kW	75,0	75,0
Performance SAE J 1995	hp	100,0	100,0
Speed	min-1	2.300	2.300
Fuel		Diesel	Diesel
Electric equipment	V	12	12
Drive system		hydrost.	hydrost.
Drum driven			standard

Drums and Tyres

Tyre size		23.1-26 12PR	23.1-26 12PR
-----------------	--	--------------	--------------

Brakes

Service brake		hydrost.	hydrost.
Parking brake		hydromec.	hydromec.

Steering

Steering system		oscil.artic.	oscil.artic.
Steering method		hydrost.	hydrost.
Steering / oscillating angle +/-	grad	35/12	35/12

Exciter system

Drive system		hydrost.	hydrost.
Frequency	Hz	30/36	30/36
Amplitude	mm	1,80/0,95	1,80/0,95
Centrifugal force	kN	236/170	236/170
Centrifugal force	t	24,1/17,3	24,1/17,3

Capacities

Fuel	l	250,0	250,0
------------	---	-------	-------

Technical modifications reserved. Machines may be shown with options.

Standard Equipment

- Hydrostatic travel and vibration drive (BW211D-40)
- Self locking differential
- Warning horn
- Single lever control for travel and vibration
- Hydrostatic articulated steering
- Emergency STOP
- Scrapers (2x)
- Back-up warning system
- Operator seat
- Maintenance-free articulated joint
- Wheels-Ballast

Optional Equipment

- ROPS/FOPS-cabin with heating
+Seat belt
- ROPS/FOPS-cabin with heating
+Air condition
+Seat belt
- Cabin with air conditioning
+Seat belt
- Sun roof
- Working lights front / rear
- ROPS/FOPS with safety belt
- Rotary beacon
- Padfoot segment kit (D)
- Contact scrapers (2x)
- ECONOMIZER
- BOMAG Evib-Meter (BEM)
- Special painting
- Ballast front (700kg)
- Radio (Bluetooth)
- BOMAP
- Road lights

