

PA185 | Air Compressors

Specifications

General Data

Emission Compliance	Tier 2
Free Air Delivery	5.2 m ³ /min
Rated Operating Pressure	6.90 bar

Engine

Make	Kubota
Model	V2403MDI-T
Number of Cylinders	4.0
Full load speed	2550.0 RPM
Power	46.5 kW
Electrical	12 V
Cooling	Water
Fuel Tank capacity	131.00 L

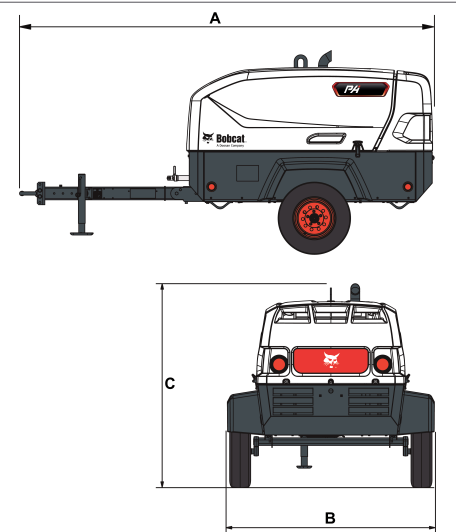
Weights

Weight (net) fixed/adjustable	960
Weight (working) fixed/adjustable	1070

Standard Features

Central lifting point	Spark Arrestor
"Push after warm-up" button	Standard non-metallic fan
Central lifting point	Toolbox
Fuel/water separator	4 pins
High Ambient	Fixed height unbraked r/gear 3" in eye
Polymer Canopy	Safety chain on drawbar

Dimension



Callouts with * are on shipping support

(A)	3485.0 mm	(B*)	1252.0 mm
(A*)	2251.0 mm	(C)	1717.0 mm
(B)	1740.0 mm	(C*)	1430.0 mm